

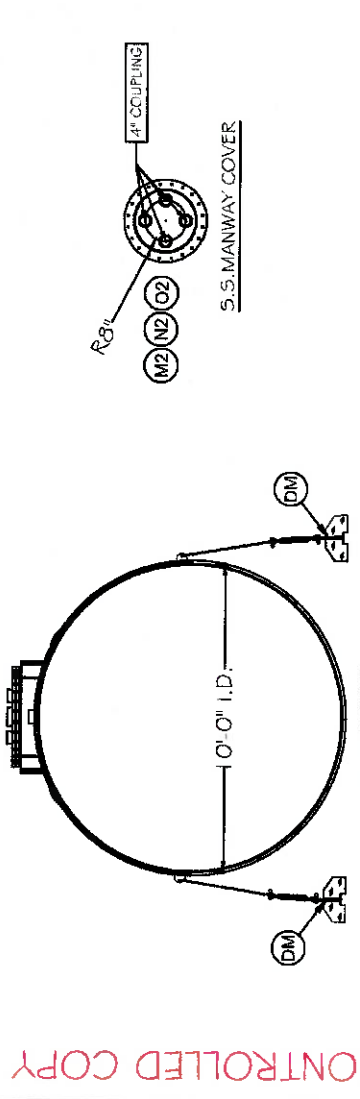
SON 140/142/144

FRP FUEL STORAGE TANK
10' Ø - 30,000 Gal.
7k/16k/7k

TRAFFIC RATED TANK
TRAFFIC RATED LID MUST BE RECESSED IN
CONCRETE SLAB

NOZZLE SCHEDULE		NOZZLE ACCESSORIES - NOTES		REFERENCE	QTY
A	4" FRP ANTI-CORROSION FITTING			LEAK DETECTION SERVICE	3
B1	4" FRP FULL COUPLING	W/ 12" X 12" STRIKER PLATE		SERVICE	1
B2	4" FRP FULL COUPLING	W/ 12" X 12" STRIKER PLATE		SERVICE	1
B3	4" FRP FULL COUPLING	W/ 12" X 12" STRIKER PLATE		SERVICE	1
B4	4" FRP FULL COUPLING	W/ 12" X 12" STRIKER PLATE		SERVICE	1
B5	4" FRP FULL COUPLING	W/ 12" X 12" STRIKER PLATE		SERVICE	1
B6	4" FRP FULL COUPLING	W/ 12" X 12" STRIKER PLATE		SERVICE	1
M1	2" FRP MANWAY	ACCESS OPENING W/ 24" STRIKER PLATE		ENTRANCE/EXIT	1
M2	C.S. MANWAY COVER	COVER W/ 24" STRIKER PLATE		COVER	1
M3	48" FRP MANWAY COVER	COVER W/ 48" STRIKER PLATE		ENTRANCE/EXIT	1
N1	24" FRP MANWAY	ACCESS OPENING W/ 24" STRIKER PLATE		COVER	1
N2	C.S. MANWAY COVER	COVER W/ 24" STRIKER PLATE		ENTRANCE/EXIT	1
O1	24" FRP MANWAY	ACCESS OPENING W/ 24" STRIKER PLATE		COVER	1
O2	C.S. MANWAY COVER	COVER W/ 24" STRIKER PLATE		ENTRANCE/EXIT	1
O3	48" FRP MANWAY	ACCESS OPENING W/ 48" STRIKER PLATE		COVER	1
L1	48" FRP LIFTING LUGS			LIFTING	6
L2	48" FRP LIFTING LUGS			LIFTING	6
L3	48" FRP LIFTING LUGS			LIFTING	6
L4	48" FRP LIFTING LUGS			LIFTING	6
L5	48" FRP LIFTING LUGS			LIFTING	6
L6	48" FRP LIFTING LUGS			LIFTING	6
L7	48" FRP LIFTING LUGS			LIFTING	6
L8	48" FRP LIFTING LUGS			LIFTING	6
L9	48" FRP LIFTING LUGS			LIFTING	6
L10	48" FRP LIFTING LUGS			LIFTING	6
L11	48" FRP LIFTING LUGS			LIFTING	6
L12	48" FRP LIFTING LUGS			LIFTING	6
L13	48" FRP LIFTING LUGS			LIFTING	6
L14	48" FRP LIFTING LUGS			LIFTING	6
L15	48" FRP LIFTING LUGS			LIFTING	6
L16	48" FRP LIFTING LUGS			LIFTING	6
L17	48" FRP LIFTING LUGS			LIFTING	6
L18	48" FRP LIFTING LUGS			LIFTING	6
L19	48" FRP LIFTING LUGS			LIFTING	6
L20	48" FRP LIFTING LUGS			LIFTING	6
L21	48" FRP LIFTING LUGS			LIFTING	6
L22	48" FRP LIFTING LUGS			LIFTING	6
L23	48" FRP LIFTING LUGS			LIFTING	6
L24	48" FRP LIFTING LUGS			LIFTING	6
L25	48" FRP LIFTING LUGS			LIFTING	6
L26	48" FRP LIFTING LUGS			LIFTING	6
L27	48" FRP LIFTING LUGS			LIFTING	6
L28	48" FRP LIFTING LUGS			LIFTING	6
L29	48" FRP LIFTING LUGS			LIFTING	6
L30	48" FRP LIFTING LUGS			LIFTING	6
L31	48" FRP LIFTING LUGS			LIFTING	6
L32	48" FRP LIFTING LUGS			LIFTING	6
L33	48" FRP LIFTING LUGS			LIFTING	6
L34	48" FRP LIFTING LUGS			LIFTING	6
L35	48" FRP LIFTING LUGS			LIFTING	6
L36	48" FRP LIFTING LUGS			LIFTING	6
L37	48" FRP LIFTING LUGS			LIFTING	6
L38	48" FRP LIFTING LUGS			LIFTING	6
L39	48" FRP LIFTING LUGS			LIFTING	6
L40	48" FRP LIFTING LUGS			LIFTING	6
L41	48" FRP LIFTING LUGS			LIFTING	6
L42	48" FRP LIFTING LUGS			LIFTING	6
L43	48" FRP LIFTING LUGS			LIFTING	6
L44	48" FRP LIFTING LUGS			LIFTING	6
L45	48" FRP LIFTING LUGS			LIFTING	6
L46	48" FRP LIFTING LUGS			LIFTING	6
L47	48" FRP LIFTING LUGS			LIFTING	6
L48	48" FRP LIFTING LUGS			LIFTING	6
L49	48" FRP LIFTING LUGS			LIFTING	6
L50	48" FRP LIFTING LUGS			LIFTING	6
L51	48" FRP LIFTING LUGS			LIFTING	6
L52	48" FRP LIFTING LUGS			LIFTING	6
L53	48" FRP LIFTING LUGS			LIFTING	6
L54	48" FRP LIFTING LUGS			LIFTING	6
L55	48" FRP LIFTING LUGS			LIFTING	6
L56	48" FRP LIFTING LUGS			LIFTING	6
L57	48" FRP LIFTING LUGS			LIFTING	6
L58	48" FRP LIFTING LUGS			LIFTING	6
L59	48" FRP LIFTING LUGS			LIFTING	6
L60	48" FRP LIFTING LUGS			LIFTING	6
L61	48" FRP LIFTING LUGS			LIFTING	6
L62	48" FRP LIFTING LUGS			LIFTING	6
L63	48" FRP LIFTING LUGS			LIFTING	6
L64	48" FRP LIFTING LUGS			LIFTING	6
L65	48" FRP LIFTING LUGS			LIFTING	6
L66	48" FRP LIFTING LUGS			LIFTING	6
L67	48" FRP LIFTING LUGS			LIFTING	6
L68	48" FRP LIFTING LUGS			LIFTING	6
L69	48" FRP LIFTING LUGS			LIFTING	6
L70	48" FRP LIFTING LUGS			LIFTING	6
L71	48" FRP LIFTING LUGS			LIFTING	6
L72	48" FRP LIFTING LUGS			LIFTING	6
L73	48" FRP LIFTING LUGS			LIFTING	6
L74	48" FRP LIFTING LUGS			LIFTING	6
L75	48" FRP LIFTING LUGS			LIFTING	6
L76	48" FRP LIFTING LUGS			LIFTING	6
L77	48" FRP LIFTING LUGS			LIFTING	6
L78	48" FRP LIFTING LUGS			LIFTING	6
L79	48" FRP LIFTING LUGS			LIFTING	6
L80	48" FRP LIFTING LUGS			LIFTING	6
L81	48" FRP LIFTING LUGS			LIFTING	6
L82	48" FRP LIFTING LUGS			LIFTING	6
L83	48" FRP LIFTING LUGS			LIFTING	6
L84	48" FRP LIFTING LUGS			LIFTING	6
L85	48" FRP LIFTING LUGS			LIFTING	6
L86	48" FRP LIFTING LUGS			LIFTING	6
L87	48" FRP LIFTING LUGS			LIFTING	6
L88	48" FRP LIFTING LUGS			LIFTING	6
L89	48" FRP LIFTING LUGS			LIFTING	6
L90	48" FRP LIFTING LUGS			LIFTING	6
L91	48" FRP LIFTING LUGS			LIFTING	6
L92	48" FRP LIFTING LUGS			LIFTING	6
L93	48" FRP LIFTING LUGS			LIFTING	6
L94	48" FRP LIFTING LUGS			LIFTING	6
L95	48" FRP LIFTING LUGS			LIFTING	6
L96	48" FRP LIFTING LUGS			LIFTING	6
L97	48" FRP LIFTING LUGS			LIFTING	6
L98	48" FRP LIFTING LUGS			LIFTING	6
L99	48" FRP LIFTING LUGS			LIFTING	6
L100	48" FRP LIFTING LUGS			LIFTING	6

ALL INFORMATION WITHIN THIS DRAWING IS CONSIDERED CONFIDENTIAL, PROPRIETARY INFORMATION.



REVISION BLOCK		DATE	DRAFTER
1	DESCRIPTION	04/11/2022	
2	INITIAL RELEASE		
3	ADDED SON NUMBERS	12/07/2022	

CUSTOMER NOTIFICATION
SIGNED AND APPROVED DRAWING REQUIRED BEFORE START OF MANUFACTURING

COMPANY: _____ DATE: _____

NAME (PRINTED): _____

[] APPROVED: _____

[] REDRAW AND RESUBMIT: _____

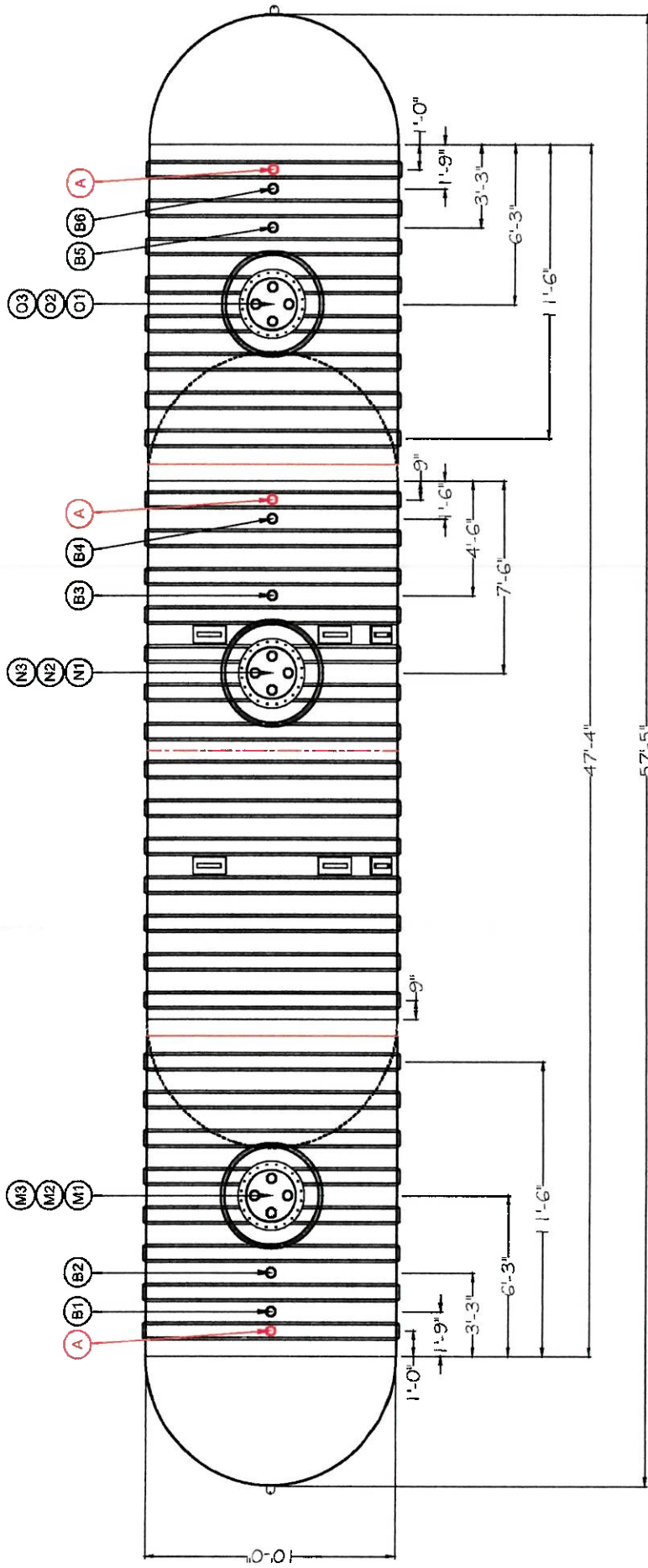
GENERAL NOTES:
 • ALL BOLT HOLES TO SADDLE NORMAL TANK CENTER LINES UNLESS OTHERWISE SHOWN
 • HOZZLE PROJECTIONS ARE 6" FROM OUTSIDE OF TANK TO FACE OF FLANGE UNLESS OTHERWISE SHOWN
 • COUPLING TO BE 2" PROJECTION ON SIDE WALL OF TANK
 • 12" X 12" STRIKER PLATE MUST BE INSTALLED AT BOTTOM OF TANK WALL UNDER EACH COUPLING (WITH THE EXCEPTION OF VENT ONLY COUPLINGS)
 • 24" X 24" STRIKER PLATE MUST BE INSTALLED AT BOTTOM OF TANK WALL UNDER ACCESS OPENING.
 • TANK DESIGNED, FABRICATED, INSPECTED/TESTED IN ACCORDANCE WITH UJULC 1316 SPEC'S CURRENT EDITION.

FRP SPECIFICATIONS		730	730
UNFR	RESIN	MDFP	MDFP
	MATRIX	C-VOL	C-VOL
	FINISH		
	RESIN	730	730
	MATRIX	MDFP	MDFP
	FINISH	C-VOL	C-VOL
	FRP STAGE UNDER AND CORROSION BARRIER		
	RESIN	730	730
	MATRIX	MDFP	MDFP
	FINISH	C-VOL	C-VOL
	EXTERIOR COLOR		YELLOW

854.500.9349
www.nationwidetanks.com



SON 140/142/144



TOP VIEW



FOR THE INFORMATION OF THE BUYER, THE BUYER SHALL BE RESPONSIBLE FOR OBTAINING ALL NECESSARY PERMITS AND APPROVALS FROM ALL APPLICABLE AGENCIES. THE BUYER SHALL BE RESPONSIBLE FOR OBTAINING ALL NECESSARY PERMITS AND APPROVALS FROM ALL APPLICABLE AGENCIES. THE BUYER SHALL BE RESPONSIBLE FOR OBTAINING ALL NECESSARY PERMITS AND APPROVALS FROM ALL APPLICABLE AGENCIES.

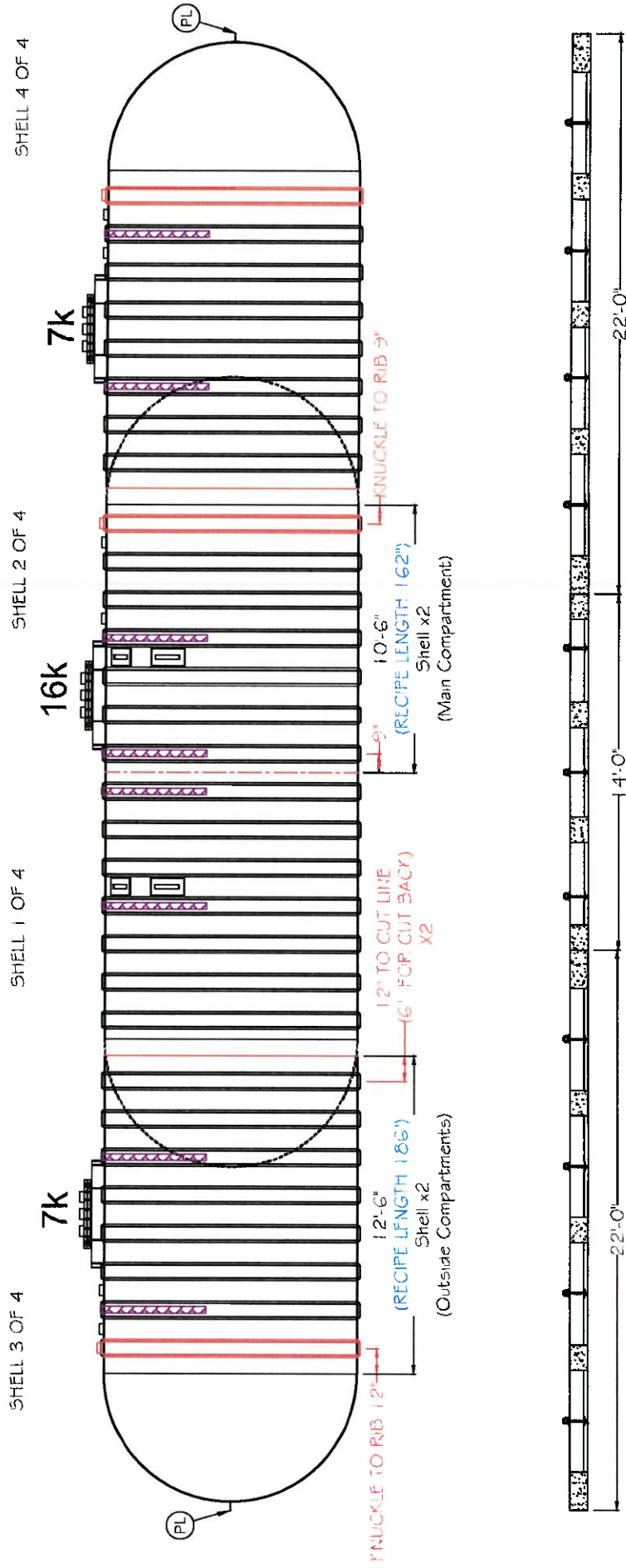
CONTROLLED COPY

SON 140/142/144

SHIPPING INFO:

MAX. LENGTH: 58'-5"
 MAX. HEIGHT: 11'-6" (W/O RISER/SUMP)
 MAX. WIDTH: 10'-8"
 DEADMAN WEIGHT (Total): 14,500 LBS ±
 TANK WEIGHT: 13,750 LBS ±

THIS INFORMATION IS ESTIMATED *FOR SHIPPING PURPOSES ONLY*



FRONT VIEW



IMPORTANT INFORMATION:
 THE INFORMATION CONTAINED
 HEREIN IS UNCLASSIFIED
 UNLESS INDICATED OTHERWISE.
 UNCLASSIFIED BY: 410
 DATE: 01/11/2011
 AUTHORITY: 25 USC 552
 EXECUTIVE ORDER 13526

10-0-2011 5:15 PM
 UNREF 3P 3.00 11P FUEL STORAGE TANK
 3 OF 3

CONTROLLED COPY