

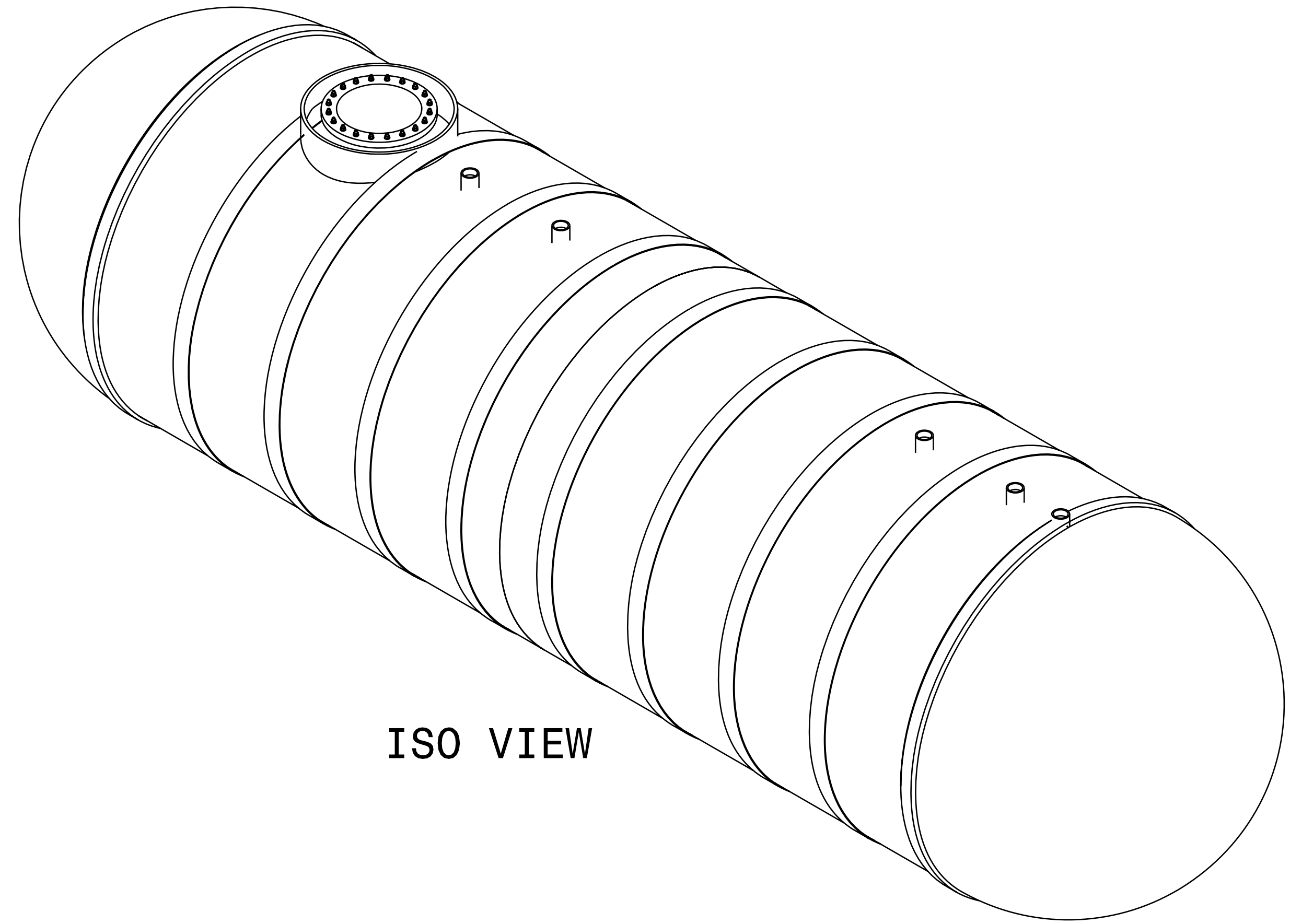
NOTES: UNLESS OTHERWISE SPECIFIED

1. ALL BOLT HOLES TO STRADDLE NORMAL TANK CENTERLINES UNLESS OTHERWISE SHOWN
2. NOZZLE PROJECTIONS ARE 6" FROM OUTSIDE OF TANK TO FACE OF FLANGE UNLESS OTHERWISE SHOWN
3. COUPLING TO BE 2" PROJECTION ON SIDE WALL OF TANK
4. STRIKER PLATE (12" X 12") MUST BE INSTALLED AT BOTTOM OF TANK WALL UNDER EACH COUPLING (WITH THE EXCEPTION OF VENT ONLY COUPLINGS).
5. STRIKER PLATE (24" X 24") MUST BE INSTALLED AT BOTTOM OF TANK WALL UNDER MANWAY ACCESS OPENING.
6. TANK DESIGNED, FABRICATED, INSPECTED/TESTED IN ACCORDANCE WITH UL/ULC -1316 SPEC'S CURRENT EDITION.
7. TRAFFIC RATE TANK - LID MUST BE RECESSED IN CONCRETE SLAB
8. DEADMEN, STRAPS, TURNBUCKLES, AND INSTALLATION SHACKLES ARE NOT INCLUDED

# SON # 256

## 20K CAPACITY

| REVISIONS |                              |          |       |
|-----------|------------------------------|----------|-------|
| REV       | DESCRIPTION                  | DATE     | APPVD |
| 02        | Convert to Stock Tank        | 06/21/23 |       |
| 01        | Update with Donna's Comments | 05/23/23 |       |
| IR        | INITIAL RELEASE              | 05/15/23 |       |



ISO VIEW

| LABEL | SIZE | MATL. | DESCRIPTION    | ADDITIONAL ACCESSORIES - NOTES  | QTY |
|-------|------|-------|----------------|---|-----|
| A1    | 4"   | FRP   | HALF COUPLING  | PROBE RIB   | 1   |
| B1    | 4"   | FRP   | HALF COUPLING  | W/ 12" X 12" STRIKER PLATE  | 1   |
| B2    | 4"   | FRP   | HALF COUPLING  | W/ 12" X 12" STRIKER PLATE  | 1   |
| B3    | 4"   | FRP   | HALF COUPLING  | W/ 12" X 12" STRIKER PLATE  | 1   |
| M1    | 24"  | FRP   | MANWAY         | W/ 24" X 24" STRIKER PLATE  | 1   |
| M2    | -    | C.S.  | MANWAY COVER   | SEE MANWAY COVER DWG  | 1   |
| M3    | 42"  | FRP   | COLLAR         | REFER TO BRAVO PRODUCTLINE  | 1   |
| LL    | -    | GALV. | LIFTING LUGS   | NOT SHOWN IN DRAWING  | 4   |
| PL    | -    | GALV. | POSITION LUGS  |   | 2   |
| DM    | -    | -     | ANCHOR SYSTEM  | NO DEADMEN PROVIDED   | 0   |
| TDS   | -    | -     | STRAP ASSEMBLY | D-RINGS GLASSSED TO FRP STRAP; 1/2" THK TO BE USED IN ANCHORING TANK TO DEADMAN, USING SHACKLES, & TURN- BUCKLE PER STRAP | 4   |
| TB    | -    | -     | TURNBUCKLES    |   | 0   |

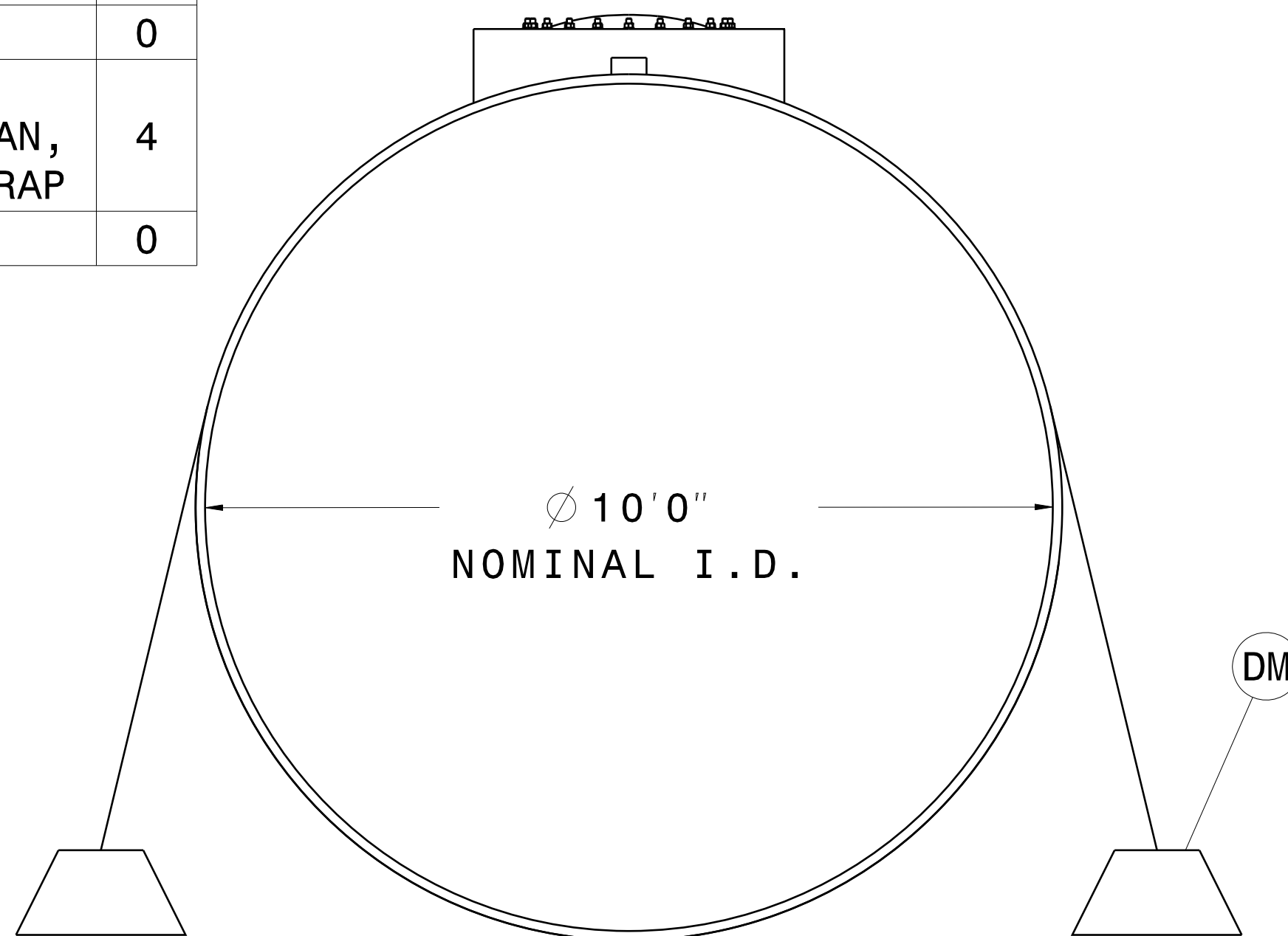
COMPANY: \_\_\_\_\_

DATE: \_\_\_\_\_

NAME (PRINTED): \_\_\_\_\_

[ ] APPROVED: \_\_\_\_\_

[ ] REDRAW AND RESUBMIT: \_\_\_\_\_



END VIEW

### SHIPPING INFO:

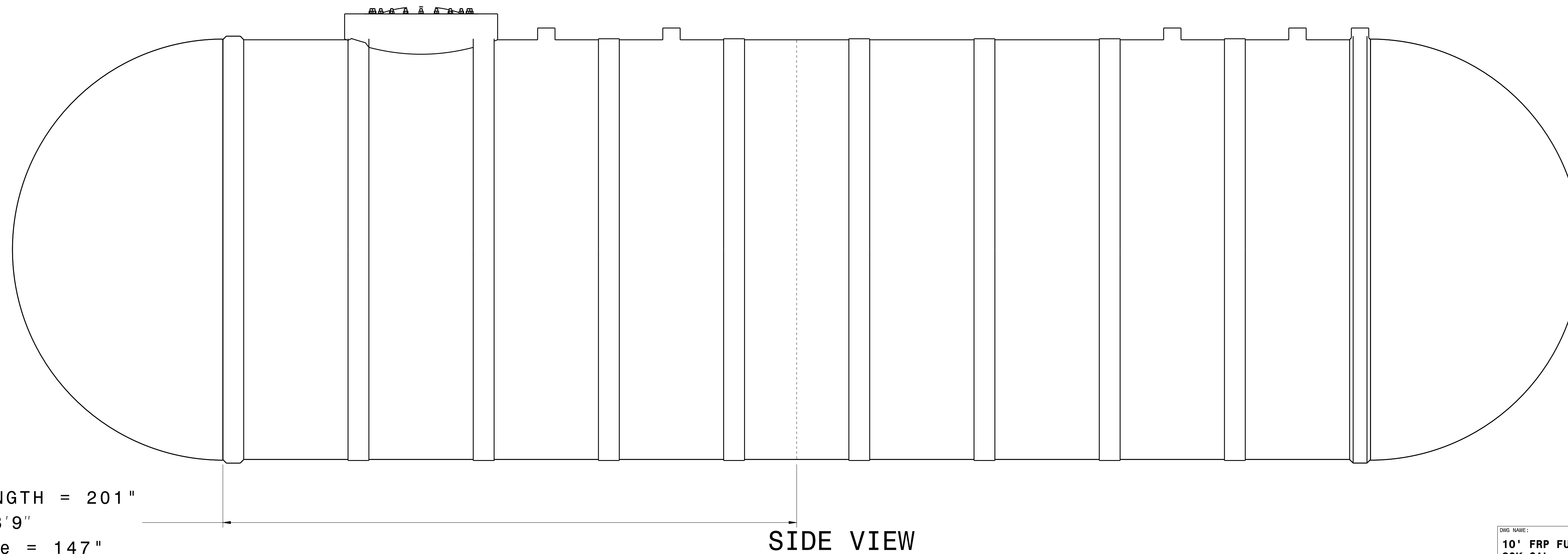
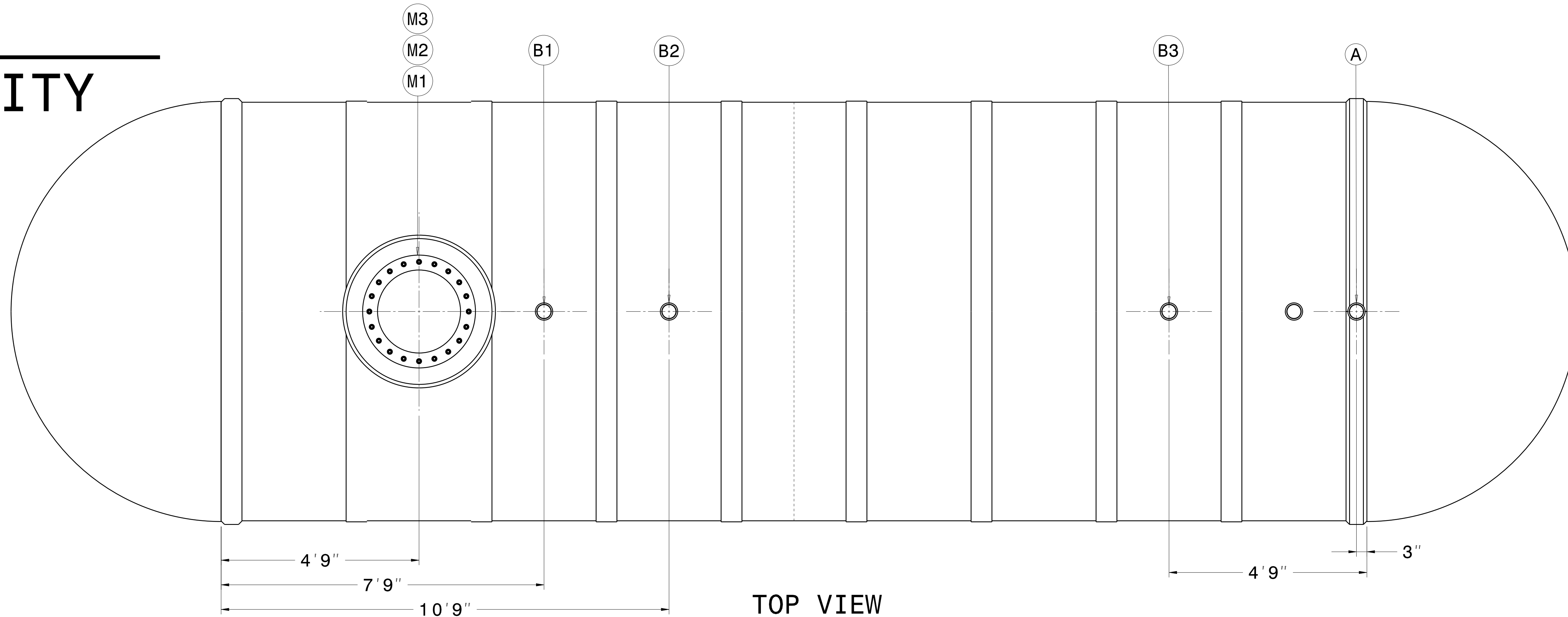
MAX LENGTH = 37' -7"  
 MAX HEIGHT = 11' -6" (W/O SUMP RISER)  
 MAX WIDTH = 10' -8"  
 TANK WEIGHT = 10,700 LBS

CONTROLLED COPY

ALL INFORMATION WITHIN THIS DRAWING IS CONSIDERED CONFIDENTIAL, PROPRIETARY INFORMATION

|  |             |   |          |
|--|-------------|---|----------|
| DIMENSIONS ARE IN INCHES UNLESS OTHERWISE SPECIFIED. BREAK EDGES/REMOVE BURRS. |             | DRAWING NAME: 10' FRP FUEL TANK 20K GAL |          |
| ANGLES - 1:2:0   | SCALE: NONE | SHEET: D                                | SON #: 1 |
| 1:X:1 = 1:0:00"  | SCALE: NONE | SHEET: 1 OF 2                           | REV: 02  |
| 2:X:1 = 1:0:00"  | SCALE: NONE |   |          |
| 3:X:1 = 1:0:00"  | SCALE: NONE |   |          |
| 4:X:1 = 1:0:00"  | SCALE: NONE |   |          |
| 5:X:1 = 1:0:00"  | SCALE: NONE |   |          |
| 6:X:1 = 1:0:00"  | SCALE: NONE |   |          |
| 7:X:1 = 1:0:00"  | SCALE: NONE |   |          |
| 8:X:1 = 1:0:00"  | SCALE: NONE |   |          |

**SON # 256**  
**20K CAPACITY**



RECIPE LENGTH = 201"  
 Shell 1 & 2 = 13'9"  
 Cut-Line = 147"