

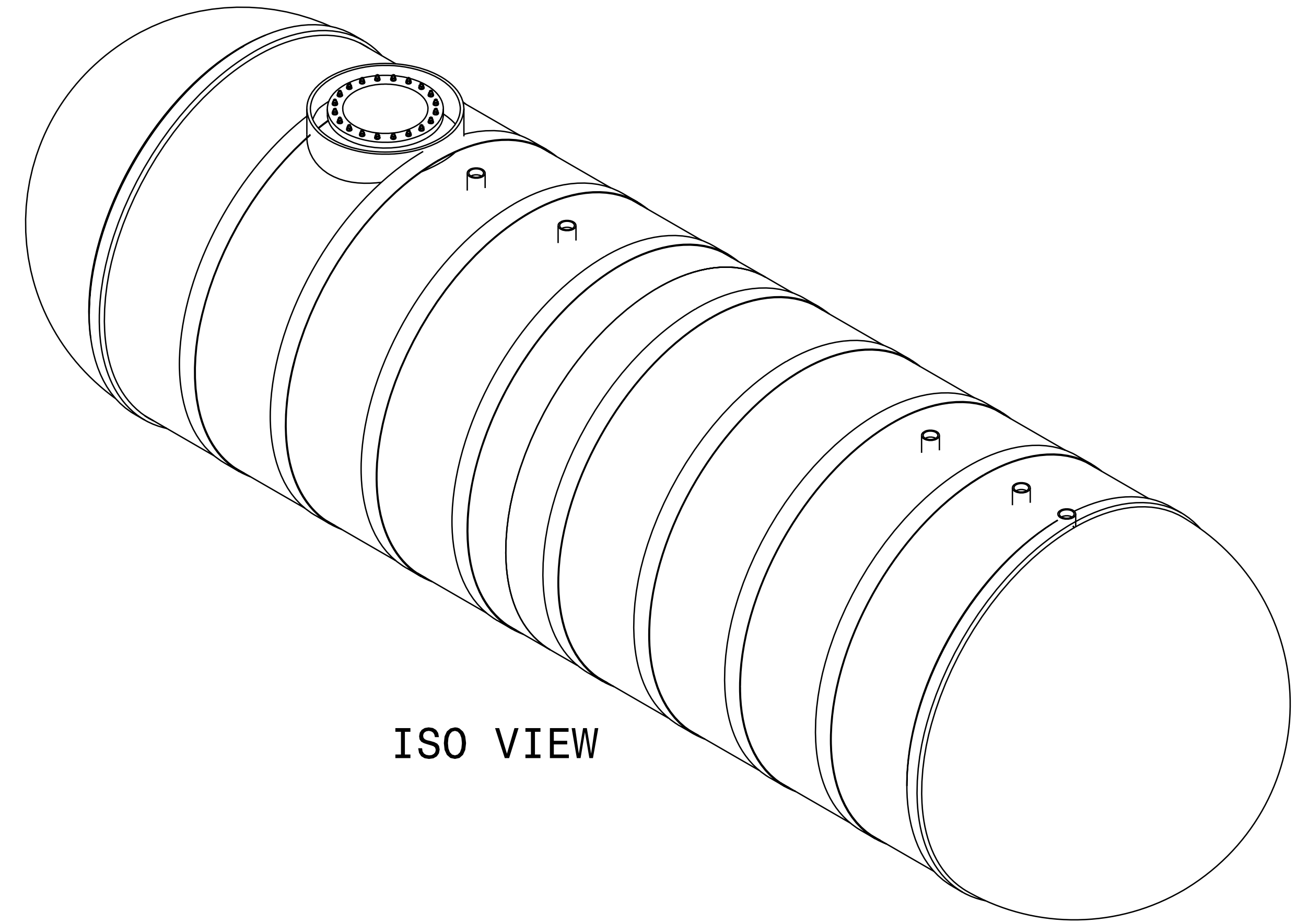
NOTES: UNLESS OTHERWISE SPECIFIED

1. ALL BOLT HOLES TO STRADDLE NORMAL TANK CENTERLINES UNLESS OTHERWISE SHOWN
2. NOZZLE PROJECTIONS ARE 6" FROM OUTSIDE OF TANK TO FACE OF FLANGE UNLESS OTHERWISE SHOWN
3. COUPLING TO BE 2" PROJECTION ON SIDE WALL OF TANK
4. STRIKER PLATE (12" X 12") MUST BE INSTALLED AT BOTTOM OF TANK WALL UNDER EACH COUPLING (WITH THE EXCEPTION OF VENT ONLY COUPLINGS).
5. STRIKER PLATE (24" X 24") MUST BE INSTALLED AT BOTTOM OF TANK WALL UNDER MANWAY ACCESS OPENING.
6. TANK DESIGNED, FABRICATED, INSPECTED/TESTED IN ACCORDANCE WITH UL/ULC -1316 SPEC'S CURRENT EDITION.
7. TRAFFIC RATE TANK - LID MUST BE RECESSED IN CONCRETE SLAB
8. DEADMEN, STRAPS, TURNBUCKLES, AND INSTALLATION SHACKLES ARE NOT INCLUDED

# SON # 257

## 20K CAPACITY

REVISIONS			
REV	DESCRIPTION	DATE	APPVD
02	Convert to Stock Tank	06/21/23	
01	Update with Donna's Comments	05/23/23	
IR	INITIAL RELEASE	05/15/23	



ISO VIEW

LABEL	SIZE	MATL.	DESCRIPTION	ADDITIONAL ACCESSORIES - NOTES	QTY
A1	4"	FRP	HALF COUPLING	PROBE RIB	1
B1	4"	FRP	HALF COUPLING	W/ 12" X 12" STRIKER PLATE	1
B2	4"	FRP	HALF COUPLING	W/ 12" X 12" STRIKER PLATE	1
B3	4"	FRP	HALF COUPLING	W/ 12" X 12" STRIKER PLATE	1
M1	24"	FRP	MANWAY	W/ 24" X 24" STRIKER PLATE	1
M2	-	C.S.	MANWAY COVER	SEE MANWAY COVER DWG	1
M3	42"	FRP	COLLAR	REFER TO BRAVO PRODUCTLINE	1
LL	-	GALV.	LIFTING LUGS	NOT SHOWN IN DRAWING	4
PL	-	GALV.	POSITION LUGS		2
DM	-	-	ANCHOR SYSTEM	NO DEADMEN PROVIDED	0
TDS	-	-	STRAP ASSEMBLY	D-RINGS GLASSED TO FRP STRAP; 1/2" THK TO BE USED IN ANCHORING TANK TO DEADMAN, USING SHACKLES, & TURN- BUCKLE PER STRAP	4
TB	-	-	TURNBUCKLES		0

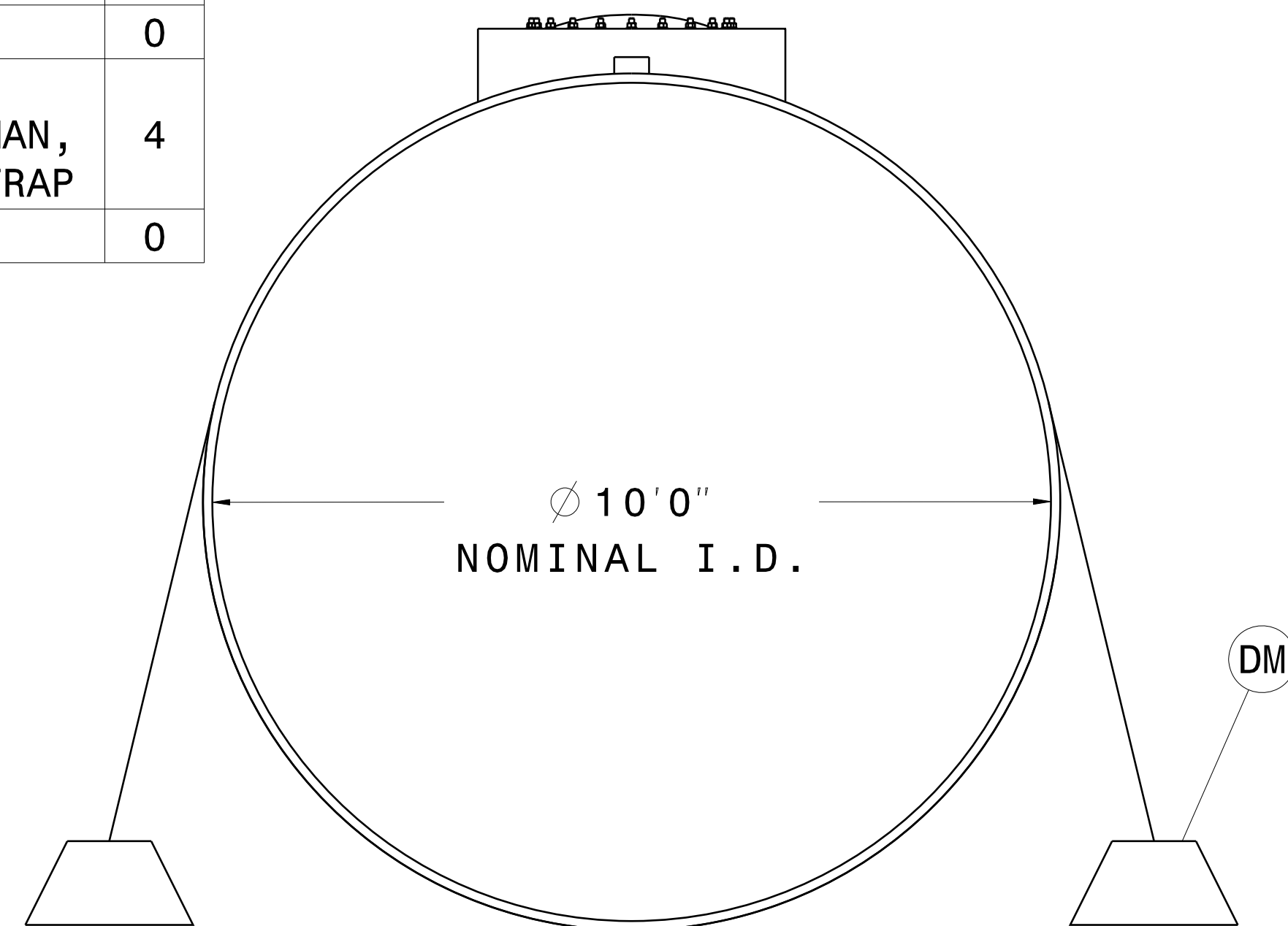
COMPANY: \_\_\_\_\_

DATE: \_\_\_\_\_

NAME (PRINTED): \_\_\_\_\_

[ ] APPROVED: \_\_\_\_\_

[ ] REDRAW AND RESUBMIT: \_\_\_\_\_



END VIEW

### SHIPPING INFO:

MAX LENGTH = 37' - 7"

MAX HEIGHT = 11' - 6" (W/O SUMP RISER)

MAX WIDTH = 10' - 8"

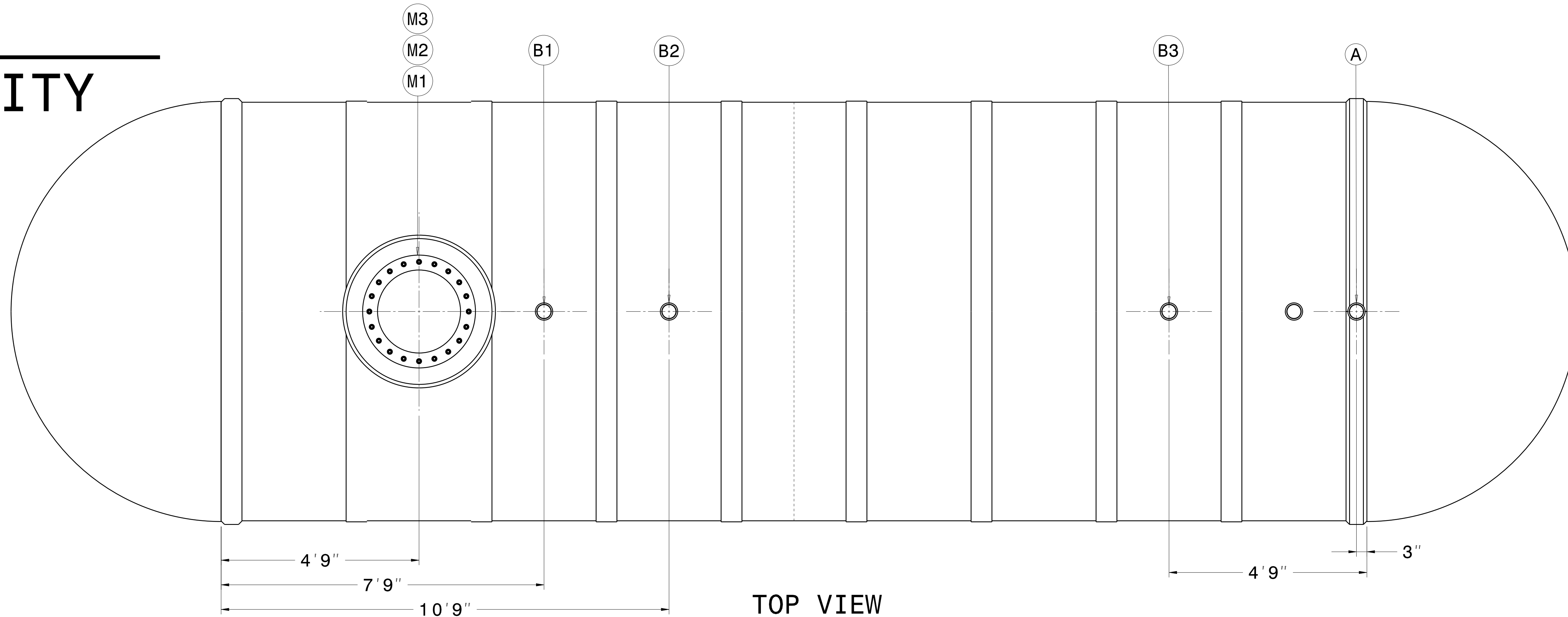
TANK WEIGHT = 10,700 LBS

CONTROLLED COPY

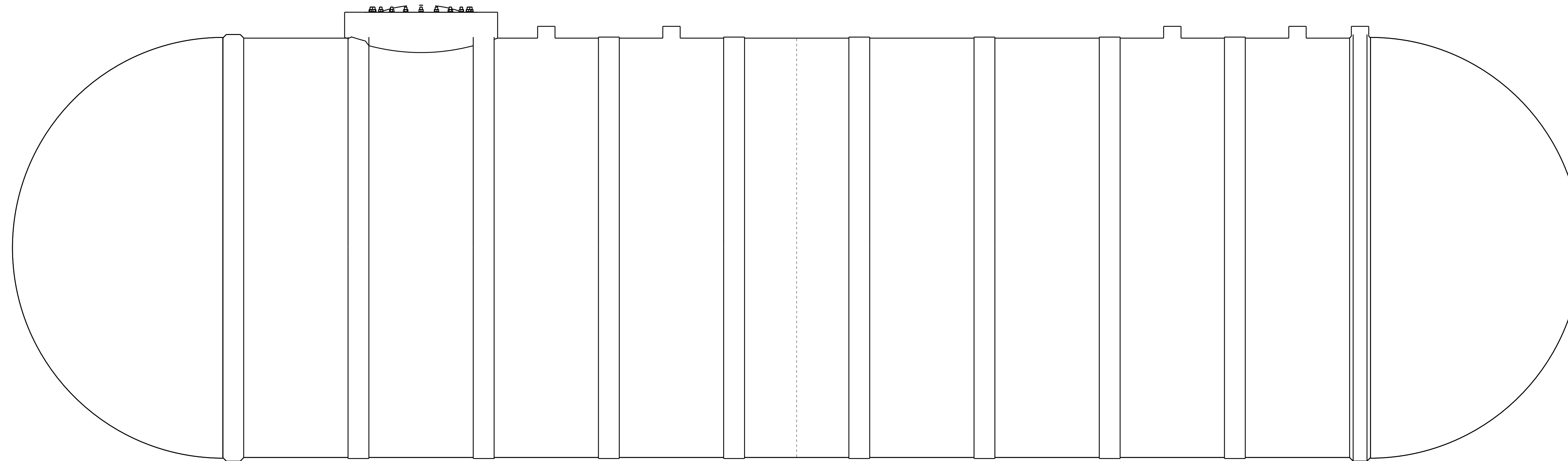
ALL INFORMATION WITHIN THIS DRAWING IS CONSIDERED CONFIDENTIAL, PROPRIETARY INFORMATION

DIMENSIONS ARE IN INCHES UNLESS OTHERWISE SPECIFIED. BREAK EDGES/REMOVE BURRS.		DRAWING NAME: 10' FRP FUEL TANK 20K GAL	
ANGLES - 1:2:0°	SCALE: NONE	SHEET: D	SON #: 1
1:X:1 = 1:0:00"	SCALE: NONE	SHEET: 1 OF 2	REV: 02
2:X:1 = 1:0:00"	SCALE: NONE		
3:X:1 = 1:0:00"	SCALE: NONE		
4:X:1 = 1:0:00"	SCALE: NONE		
5:X:1 = 1:0:00"	SCALE: NONE		
6:X:1 = 1:0:00"	SCALE: NONE		
7:X:1 = 1:0:00"	SCALE: NONE		
8:X:1 = 1:0:00"	SCALE: NONE		

**SON # 257**  
**20K CAPACITY**



**TOP VIEW**



**SIDE VIEW**

RECIPE LENGTH = 201"  
 Shell 1 & 2 = 13'9"  
 Cut-Line = 147"